

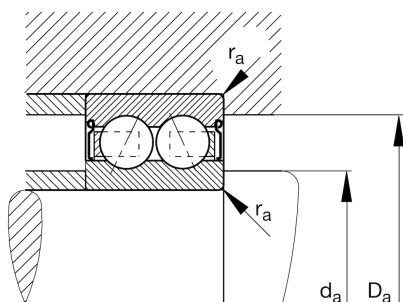
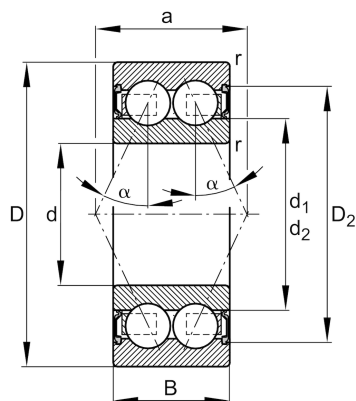
## 3008-2RS

Angular contact ball bearing

Schaeffler ID:  
0008759700000

Angular contact ball bearing 30..-B-2RS-TVH, double row, seals, plastic cage

### Technical information



### Main Dimensions & Performance Data

d	40 mm	Bore diameter
D	68 mm	Outside diameter
B	21 mm	Width
$C_r$	25,000 N	Basic dynamic load rating, radial
$C_{0r}$	21,300 N	Basic static load rating, radial
$C_{ur}$	1,110 N	Fatigue load limit, radial
$n_G$	5,600 1/min	Limiting speed
	0.25 kg	Weight

### Dimensions

$r_{min}$	1 mm	Minimum chamfer dimension
$D_2$	61.2 mm	Caliber diameter outer ring
$d_2$	46.7 mm	Caliber diameter inner ring
a	33.4 mm	Distance between the apexes of the pressure cones
$\alpha$	25 °	Contact angle

### Mounting dimensions

$d_{a min}$	44.6 mm	Minimum diameter shaft shoulder
$D_{a max}$	63.4 mm	Maximum diameter of housing shoulder
$r_{a max}$	1 mm	Maximum fillet radius

### Temperature range

$T_{min}$	-20 °C	Operating temperature min.
$T_{max}$	100 °C	Operating temperature max.